

TECHNICAL SHEET / SCHEDA TECNICA



Aurea

Brasserie



TEKNEITALIA[®]

The Art of Quality



BRASSERIE



Aurea

TECHNICAL SHEET
rev. 001/01102019

CODE 1660

Brasserie

MEASURES/MISURE

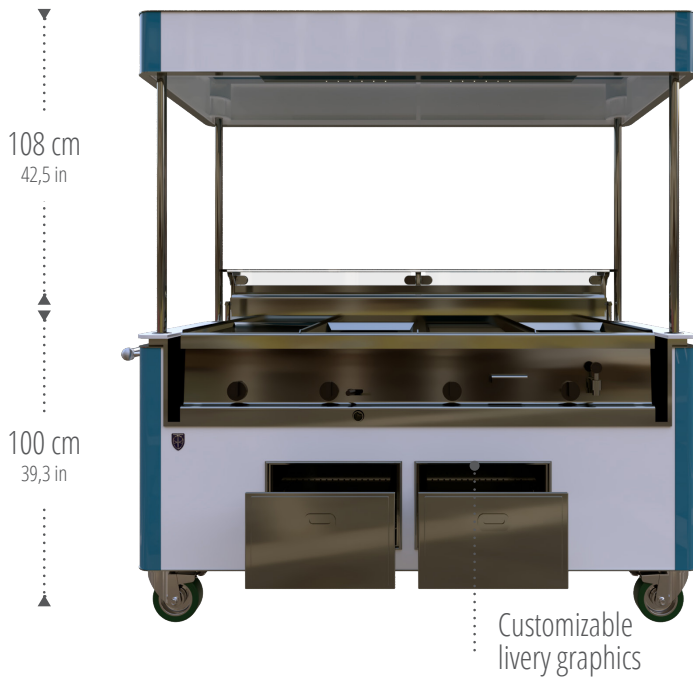




FIG. 1



FIG. 2

TECHNICAL SPECIFICATIONS

CERTIFICATION

		
EMPTY WEIGHT KG	about 240	240 circa
LOAD CAPACITY	-	-
OPERATING COLD ROOM TEMPERATURE	-5°/+15°C, 23°/+59°F	-5°/+15°C
CLIMATE CLASS	from 0° to 35°C, 32° to 95°F	da 0° a 35°C
COLD AUTONOMY	Need to be plugged	Necessita di esser collegato
BODY	Painted aluminium	Alluminio verniciato
OVERLAY	-	-
LIGHTING	Removable LED light in stainless steel	Plafoniera smontabile LED in acciaio INOX
WORKTOP	Stainless Steel	Acciaio INOX
POWER SUPPLY	240V/50Hz or 110V/60Hz	240V/50Hz oppure 110V/60Hz
POWER CONSUMPTION	450W	450W

Subject to technical modifications

Mezzo soggetto a modifiche tecniche



TEKNEITALIA®