

TECHNICAL SHEET / SCHEDA TECNICA



# Katerina

FRITTERS



**TEKNEITALIA**<sup>®</sup>

The Art of Quality

FRITTERS



## FRITTERS

### MEASURES/MISURE



FIG. 1

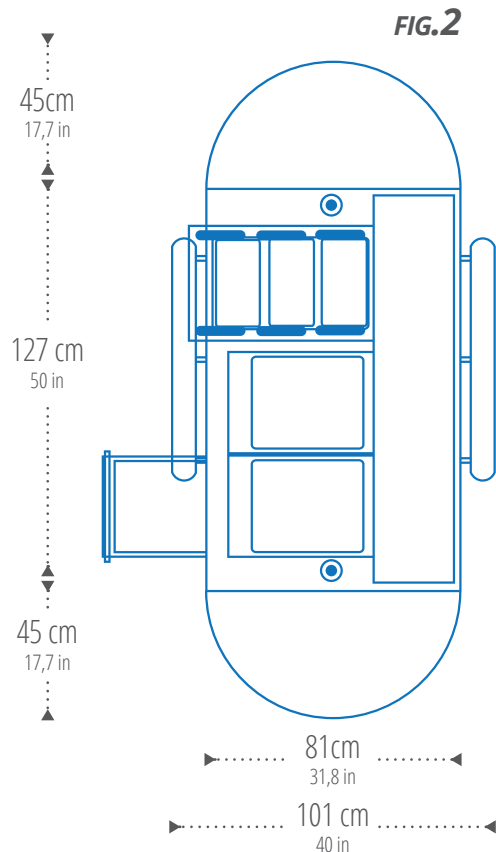




FIG. 2

### TECHNICAL SPECIFICATIONS

		
<b>EMPTY WEIGHT KG</b>	200kg	200kg
<b>LOAD CAPACITY</b>	1 refrigerated drawer	1 cassetto refrigerato
<b>OPERATING COLD ROOM TEMPERATURE</b>	-5°/+15°C, 23°/+59°F	-5°/+15°C
<b>OPERATING AMBIENT TEMPERATURE</b>	from 0° to 35°C, 32° to 95°F	da 0° a 35°C
<b>COLD AUTONOMY</b>	need to be plugged	Necessita di esser collegato
<b>BODY</b>	Painted aluminium	Alluminio verniciato
<b>OVERLAY</b>	Telescopic and removable tent in stainless steel	Tenda telescopica e smontabile in acciaio INOX
<b>LIGHTING</b>	Removable LED light in stainless steel	Plafoniera smontabile LED in acciaio INOX
<b>WORKTOP</b>	Stainless steel	Acciaio INOX
<b>POWER SUPPLY</b>	240V/50Hz or 110V/60Kz	240V/50Hz oppure 110V/60Kz
<b>POWER CONSUMPTION</b>	450W	450W

Subject to technical modifications

Mezzo soggetto a modifiche tecniche

