

TECHNICAL SHEET / SCHEDA TECNICA



Don Carlo

Glycol system



TEKNEITALIA[®]

The Art of Quality

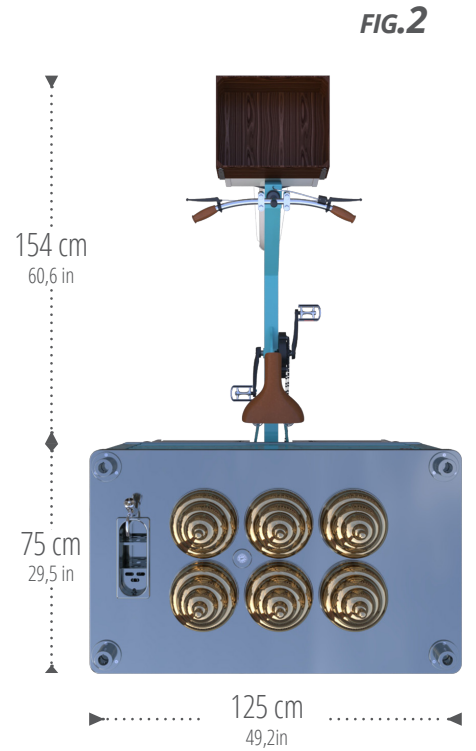


GELATO





Glycol system

MEASURES/MISURE



TECHNICAL SPECIFICATIONS

CERTIFICATION

		
EMPTY WEIGHT KG	-	-
LOAD CAPACITY	6 Stainless steel tubs (5kg each) total 30kg	6 carapine (5kg cad.) totale 30kg
OPERATING COLD ROOM TEMPERATURE	-25°/+5°C, -13°/+41° F	-25°/+5°C
CLIMATE CLASS	from 0° to 35°C	da 0° a 35°C
COLD AUTONOMY	Up to 5h	Fino a 5h
BODY	Painted aluminium	Alluminio verniciato
OVERLAY	Piston driven opening	Apertura ante a pistoni
LIGHTING	LED light in stainless steel	Plafoniera LED in acciaio INOX
WORKTOP	Stainless steel	Acciaio INOX
POWER SUPPLY	240V/50Hz or 110V/60Hz	240V/50Hz oppure 110V/60Hz
POWER CONSUMPTION	450W	450W

Subject to technical modifications

Mezzo soggetto a modifiche tecniche

