

TECHNICAL SHEET



Procopio

P8

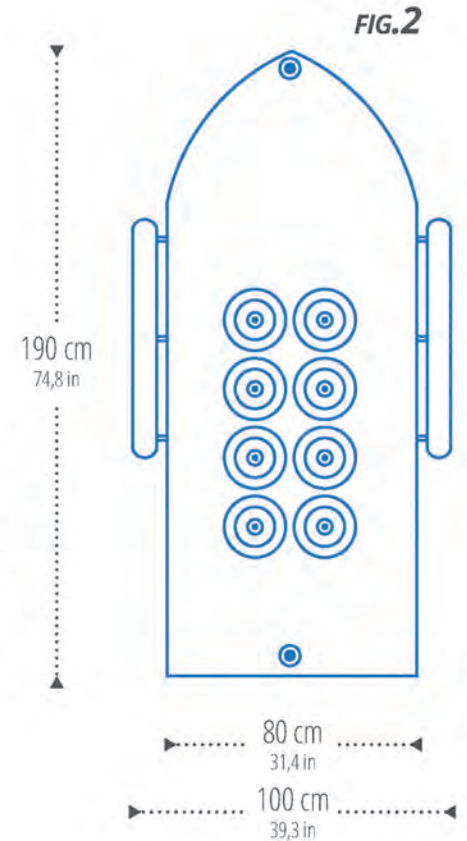


TEKNEITALIA®
The Art of Quality

GELATO



MEASURES



TECHNICAL SPECIFICATIONS

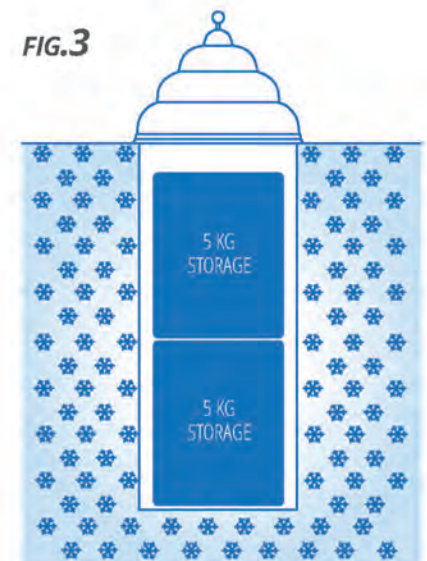
DIMENSIONS (WxHxD) CM	190x100x100
COUNTERTOP DIMENSIONS (WxD) CM	190x80
ROOF HEIGHT CM	100
TENT SIZE CM	206x116

EMPTY WEIGHT KG	about 350
LOAD CAPACITY	8+8 carapins (5kg each) total 80kg

COLD STORE INSULATION	Injected polyurethane without HCFC/CFC
COOLING SYSTEM	Glycol refrigeration
COLD STORE CHARACTERISTICS	Condensing hermetic system with motor fan, temperature control, copper evaporator
OPERATING COLD ROOM TEMPERATURE	-25°/+5°C
OPERATING AMBIENT TEMPERATURE	from 0° to 35°C
COLD AUTONOMY	6/7 hours

BODY	Painted aluminium
OVERLAY	Telescopic and removable tent in stainless steel
LIGHTING	Removable LED light in stainless steel
WORKTOP	Stainless Steel

POWER SUPPLY	240V/50Hz or 110V/60Kz
POWER CONSUMPTION	450W



Subject to technical modifications

